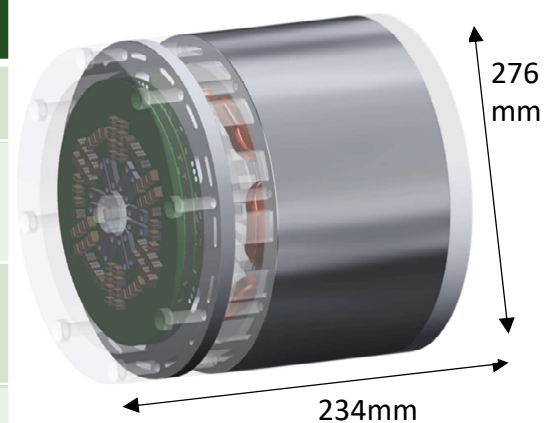


SSRD-HP – Ultimate, Sustainable eMotor Performance



- 1. **Ultimate Performance** – unique, *patented* motor technology delivers unparalleled power density, with no environmental compromise
- 2. **No Rare Earth Magnets** - lower cost, improved sustainability and reduced supply risk compared to permanent magnet (PM) motors
- 3. **No Copper Windings** – *patented* winding technology offering lower mass, with no loss of performance, and a uniquely recyclable solution
- 4. **Integrated Power Electronics** – next generation power electronics fully integrated with the motor, reducing integration complexity
- 5. **Designed for Volume Manufacture** - Production line established in the North East of England, capable of building 12000 units per year
- 6. **Efficient where it Counts** - design optimised to be more efficient than a PM or induction motor at normal commercial vehicle operating points
- 7. **High Temperature Operation** - no risk of demagnetisation at higher temperatures enabling a shared coolant loop with the IC Engine

Parameter	Performance
Torque	325Nm
Power (Peak / Continuous)	To 300kW / 150kW
Efficiency	>95% from 4000rpm to 8000rpm
Mass	44kg (dry)



All specifications subject to change without notice